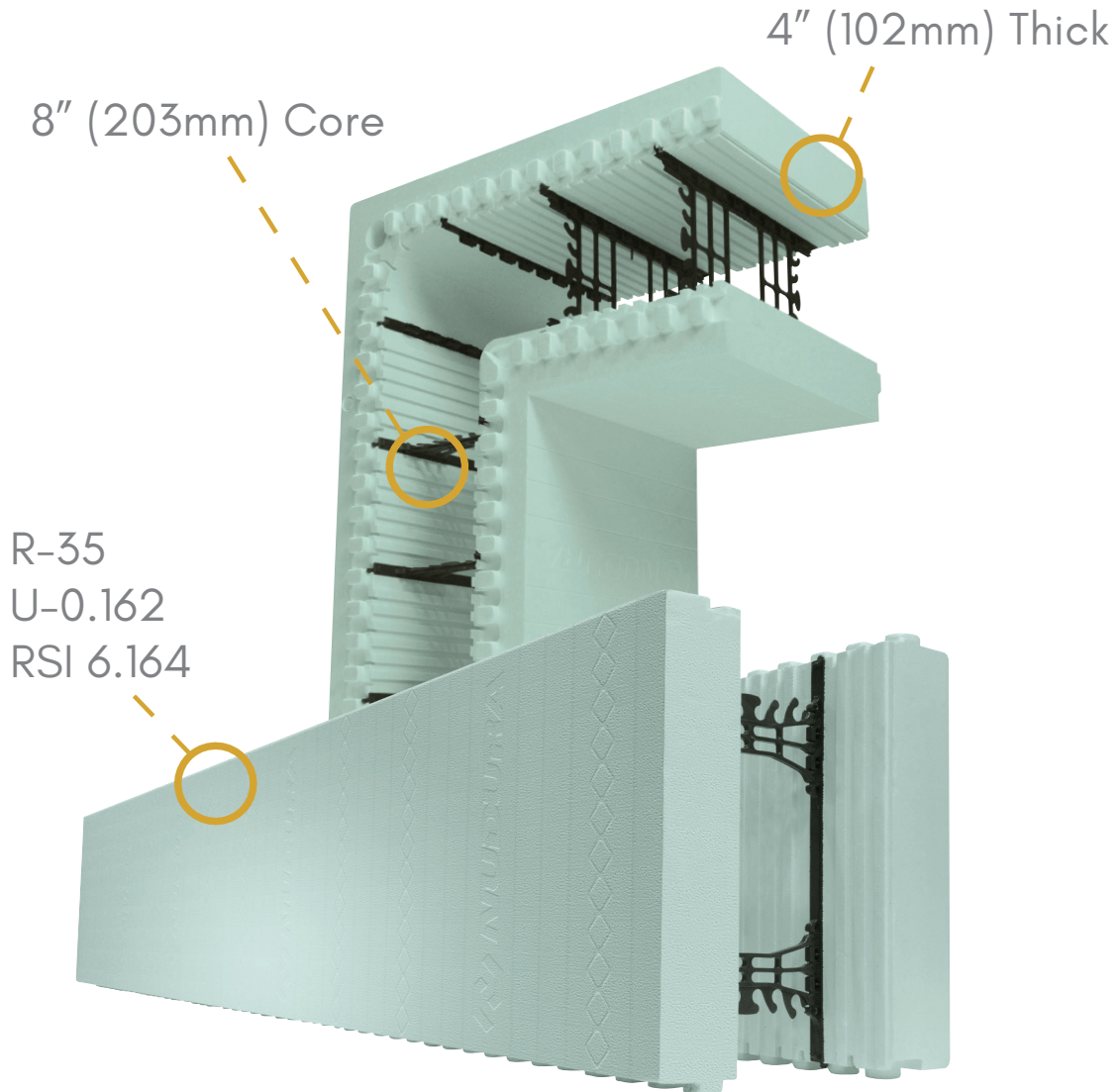


# XR35

HIGHER R-VALUE WITH ALL THE FEATURES OF THE NUDURA STANDARD ICF SERIES



## MORE INSULATION IN A NEW DESIGN

The new XR35\* has an R-Value of R-35\*\* with all the innovative features as our standard ICF block. The 4" (102mm) thick EPS panels and newly designed fastening strips make this form more energy efficient with the same lightweight technology! The fastening strips are 5/8" (16mm) below the surface and conveniently marked with a diamond pattern making fastening the interior or exterior finishes quick and easy on site.

\*Available Summer 2019

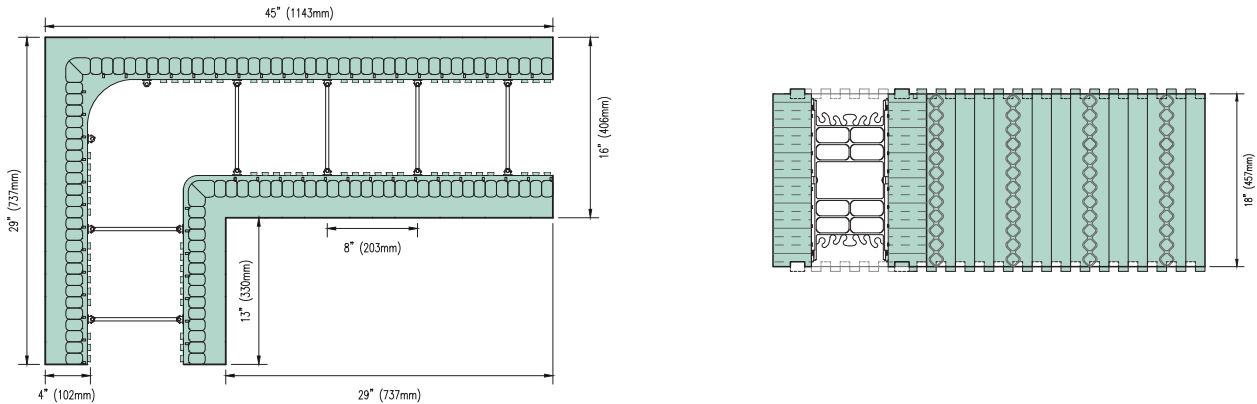
\*\*The nominal reported R-Value of 35 in unfinished form condition with interior and exterior air film as per ASHRAE Standards. Analysis with finishes applied per accredited reporting by Exova confirms total finish R-Value of R-36.25 (RSI 6.383, U-0.157).



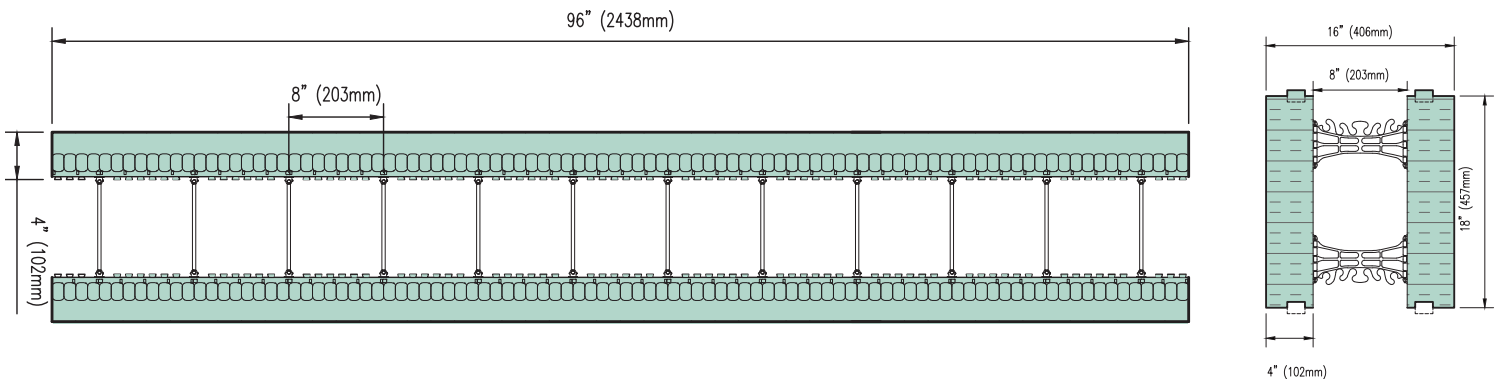
# XR35

## TECHNICAL SPECIFICATIONS

### XR35 - 90° Corner Form Dimensions



### XR35 - Standard Form Dimensions



|             | 8" (203m) Standard Form | 8" (203mm) 90° Corner Form |
|-------------|-------------------------|----------------------------|
| Qty./Bundle | 2                       | 4                          |
| Code #      | NUS-IX496-08            | NUS-IX490-08               |

|             | XR35 Unassembled Panel        |
|-------------|-------------------------------|
| Qty./Bundle | 4 panels (2 pairs per bundle) |
| Code #      | NUS-IXPAN-00                  |